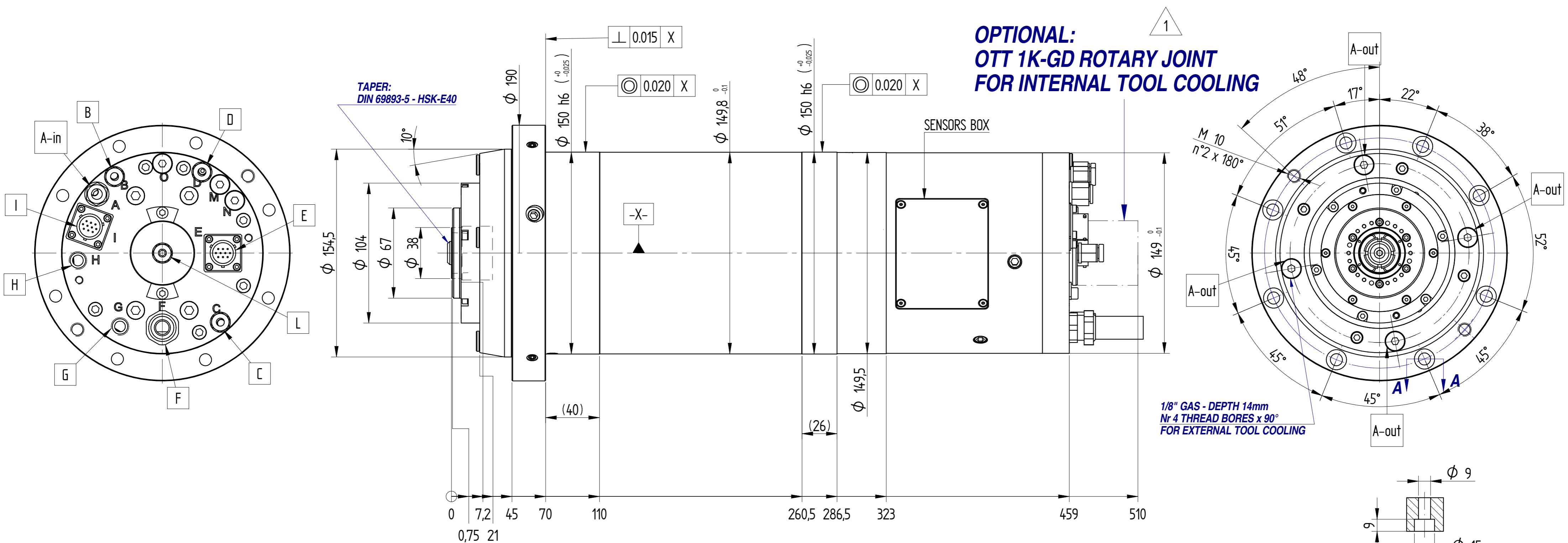


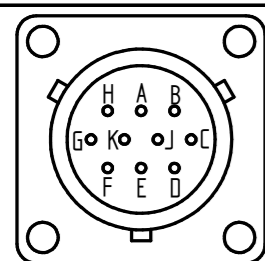
**OPTIONAL:
OTT 1K-GD ROTARY JOINT
FOR INTERNAL TOOL COOLING**



(* Encoder Lenord+Bauer 1Vpp 128 teeth)

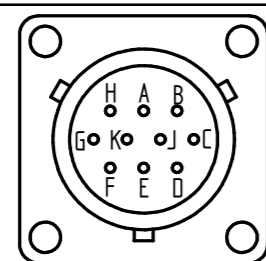
POWER CABLE - LENGTH 1000mm			
WHITE	PHASE U	AWG10	
RED	PHASE V	AWG10	
BLACK	PHASE W	AWG10	
YELLOW/GREEN	GROUND	AWG10	

ENCODER CONNECTOR



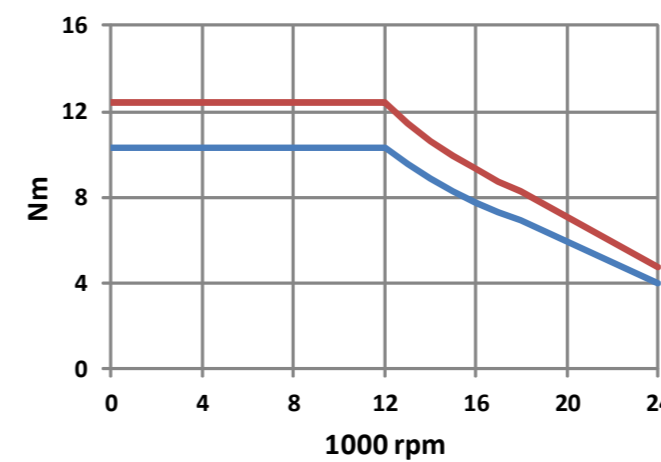
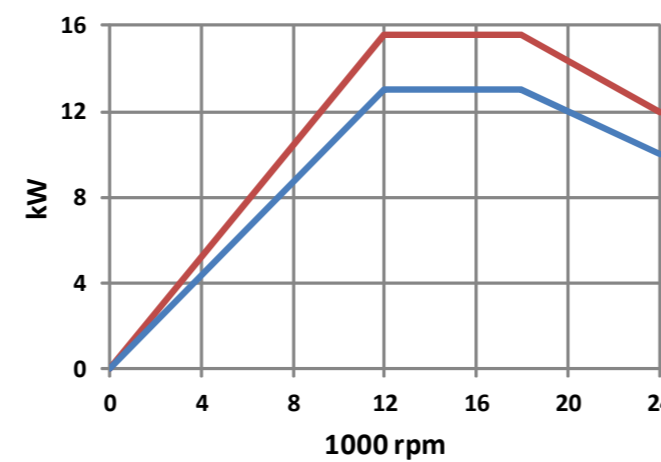
PIN	DESCRIPTION
A	A+
B	A-
C	B-
D	GND
E	Z+
F	5V
G	SCREEN
J	B+
K	Z-

SENSOR CONNECTOR + THERMIC ALARM

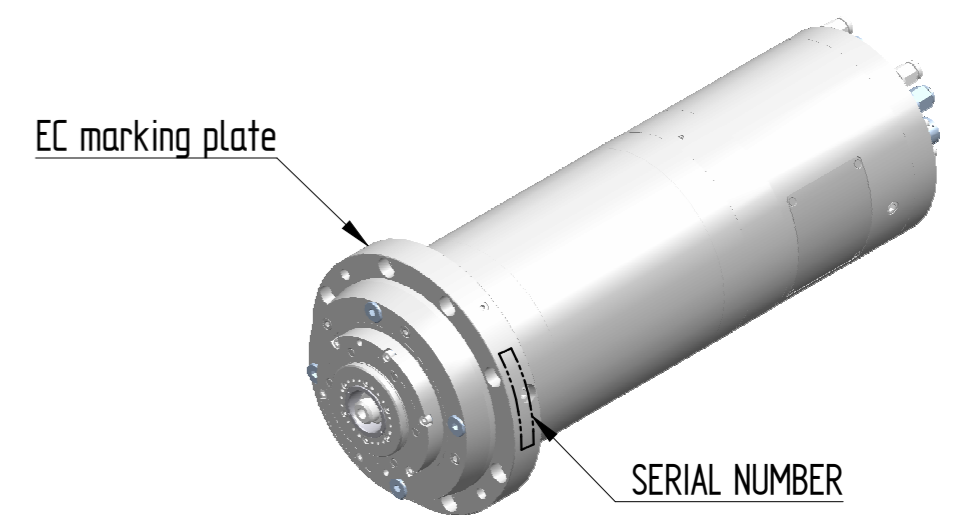


PIN	DESCRIPTION
A	OUTPUT S2 (TOOL UNLOCKED)
B	OUTPUT S1+S4 (TOOL LOCKED)
C	OUTPUT S5 (NO TOOL)
D	24V CC FEEDING SENSORS: S1, S2, S5
E	0V FEEDING SENSORS: S1, S2, S4, S5
F	THERMIC BEARINGS ALARM - T2
G	THERMIC MOTOR ALARM - BIMETALLIC N.C. 130°C
H	THERMIC BEARINGS ALARM - COMPENSATION
J	THERMIC BEARINGS ALARM - T1
K	THERMIC MOTOR ALARM - BIMETALLIC N.C. 130°C

V	380	380	380
Hz	400	600	800
kW	13 (15,6)	13 (15,6)	10 (12)
Nm	10,3 (12,3)	6,9 (8,3)	4 (4,8)
A	27,5 (33)	27,5 (33)	21,5 (25,8)
rpm	12000	18000	24000
Poles: 4	Ins.Cl. F	cosφ = 0,77	η = 0,88



SEZ. A-A



15

HYDRAULIC AND ELECTRIC CONNECTIONS	
POS	DESCRIPTION
A	EXTERNAL TOOL COOLING INLET - Ø8
B	MOTOR COOLING LIQUID INLET - Ø6
C	PRESSURISATION - 4bar - Ø6
D	MOTOR COOLING LIQUID OUTLET - Ø6
E	ENCODER (*) CONNECTOR - see detail
F	POWER CABLES - see detail
G	OIL INLET FOR TOOL-HOLDER HOOK-UP - 40bar - Ø8
H	OIL INLET FOR TOOL-HOLDER RELEASE - 40bar - Ø8
I	SENSOR CONNECTOR + THERMIC ALARM - see detail
L	CONE CLEANING - 6bar - Ø6

HSD DIVISION			
1	Cambiata la dicitura "external" in "internal".	1	20/11/2015 L.B.
REV.	DESCRIZIONE REVISIONE / REVISION DESCRIPTION	N°REV	DATA / DATE
	DESIGNATO / DRAWN BY	CONTROLLATO / CHECKED BY	APPROVATO / APPROVED
DATA	30/07/2015	30/07/2015	
FIRMA	Bernabucci L.	Bugari M.	
MATERIALE / MATERIAL:		PESO / WEIGHT: 30,734 kg	
TRATTAMENTO TERMICO / HEAT TREATMENT:		SCALA / SCALE: 1/1	
RIVESTIMENTO SUPERFICIALE / SURFACE TREATMENT:		FOGLIO / SHEET: 1/1	
DENOMINAZIONE / DESCRIPTION:		QUOTE SENZA INDICAZIONE DI TOLLERANZA POSIZIONI WITHOUT TOLERANCE INFORMATION LAVORAZIONI MECCANICHE / MECHANICAL WORKINGS: SALDOCARPENTERIE / WELDMENT: GETTI / MELT CASTING: CICLO DI VERNICIATURA / PAINTING CYCLE: CODICE ARTICOLO / DRAWING ID: 5530H0738	

DIM. ES332 E40 13kW ENC L+B V14 24krpm

1